

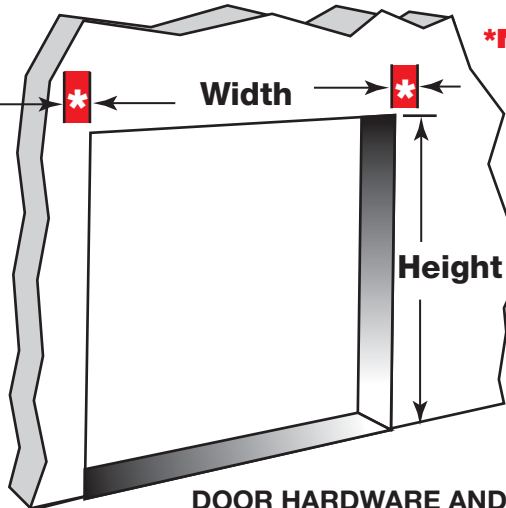
STANDARD GAUGE OVERLAP CONFIGURATIONS

PLEASE INDICATE THE WIDTH AND OVERLAP DESIRED BY CHECKING THE APPROPRIATE BOX

<p>6" STRIP</p> <p>100% <input type="checkbox"/></p> <p>67% <input type="checkbox"/></p> <p>Specify Gauge <input type="checkbox"/> .060 <input type="checkbox"/> .080</p> <hr/> <p>8" STRIP</p> <p>100% <input type="checkbox"/></p> <p>50% <input type="checkbox"/></p> <p>Specify Gauge <input type="checkbox"/> .080 <input type="checkbox"/> .120</p>	<p>12" STRIP</p> <p>100% <input type="checkbox"/></p> <p>75% <input type="checkbox"/></p> <p>50% <input type="checkbox"/></p> <p>25% <input type="checkbox"/></p> <p>Specify Gauge <input type="checkbox"/> .080 <input type="checkbox"/> .120</p>	<p>16" STRIP</p> <p>100% <input type="checkbox"/></p> <p>75% <input type="checkbox"/></p> <p>50% <input type="checkbox"/></p> <p>25% <input type="checkbox"/></p> <p>Specify Gauge <input type="checkbox"/> .080 <input type="checkbox"/> .120</p>
---	---	---

Material Type Standard Polar Green Welding Yellow

DOORWAY OPENING DIMENSIONS
PLEASE INDICATE BOTH THE HEIGHT AND WIDTH OF THE DOORWAY OPENING



***Note: FOR WALL MOUNT ONLY**
If additional coverage is required include this in the doorway width and height

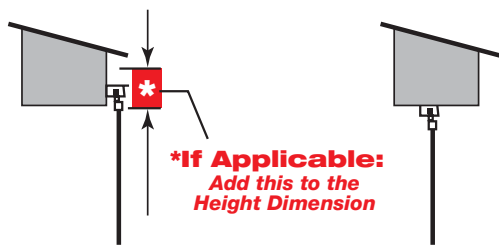
Doorway Opening Dimensions

Width: _____

Height: _____

DOOR HARDWARE AND TYPES OF MOUNTING

WALL MOUNT HEADER MOUNT



***If Applicable:**
Add this to the Height Dimension

PLEASE CHECK THE APPROPRIATE BOX FOR YOUR SPECIFIC APPLICATION

Order Contact:

Company Name: _____

Contact Name: _____

Address: _____

City: _____

State: _____

Zip: _____

Phone: _____

Fax: _____

Email: _____

Bill To: (Same as order contact)

Company Name: _____

Attn: _____

Address: _____

City: _____

State: _____

Zip: _____

Phone: _____

Email: _____

Ship To: (Same as order contact)

Company Name: _____

Attn: _____

Address: _____

City: _____

State: _____

Zip: _____

Phone: _____

Fax: _____

Email: _____

See Reverse Side for Types of Door Mounting Hardware. All quoted doors are shipped with universal hardware mounts.

MOUNTING BRACKET FORM

All doors are shipped with universal hardware mounts.



Universal - Included standard with every door order

- Flat Mount Under Mount



Overhead Door Brackets Light-Duty Stand Off

Description	Inv.# p/pair	Price*
<input type="checkbox"/> Brackets up to 10" projection	008-00001	\$48.00
<input type="checkbox"/> Brackets up to 16" projection	008-00002	\$64.00

Tubes with pre-attached hardware and mounting bushings

Description		Price*
<input type="checkbox"/> For doorways up to 5'6"	8' Tube	\$202.00
<input type="checkbox"/> For doorways up to 7'6"	8' Tube	\$236.00
<input type="checkbox"/> For doorways up to 9'6"	10' Tube	\$298.00
<input type="checkbox"/> For doorways up to 11'6"	12' Tube	\$340.00
<input type="checkbox"/> Bushings 008-00065		\$17.00



Overhead Door Brackets Heavy-Duty Stand Off

Description	Inv.# p/pair	Price*
<input type="checkbox"/> 10" projection	008-00066	\$112.00
<input type="checkbox"/> 16" projection	008-00066	\$196.00
<input type="checkbox"/> 21" projection	008-00066	\$268.00

Tube 2 x 3 " with pre-attached studded hardware & pre-drilled holes

Description	Price*
<input type="checkbox"/> 8'0" lg. 2x3	\$150.00
<input type="checkbox"/> 10'0" lg. 2x3	\$336.00
<input type="checkbox"/> 12'0" lg. 2x3	\$446.00
<input type="checkbox"/> 14'0" lg. 3x3	\$554.00
<input type="checkbox"/> 16'0" lg. 3x3	\$678.00



Spring Loaded Trailer Strip Door hardware, including 1 pair of mounting brackets.

Description	Price*
<input type="checkbox"/> Up to 72" wide	\$81.00
<input type="checkbox"/> Up to 78" wide	\$86.00
<input type="checkbox"/> Up to 84" wide	\$94.00
<input type="checkbox"/> Up to 90" wide	\$101.00
<input type="checkbox"/> Up to 96" wide	\$109.00
<input type="checkbox"/> Up to 102" wide	\$112.00
<input type="checkbox"/> 1 pair of extra mounting brackets 075-00001	\$21.50

*All prices DO NOT include shipping.

To Order, Please Contact:
Support Products, Inc.
309 Professional Park Ave.
Effingham, IL 62401
800.367.3206
217.536.6171
 or visit www.supportproducts.com
 email: sales@supportproducts.com